

Cable Clamps

Fastening clamp type BCT

Composed of

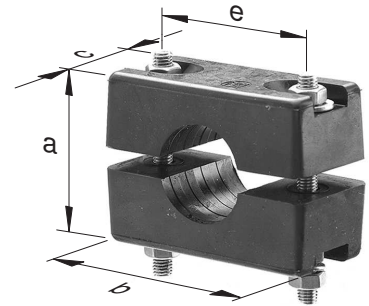
Body made of synthetic rubber with stainless steel A2 bolts

To provide with PO's

Type of fixing
Cable diameter
Cable type

To order separately:

Supporting cross type STKR
Profile rail type PS
Slot nut type PSVN



Type	a	b	c	e	Cable Ø	Screws	Max. fastening base thickness
	mm	mm	mm	mm	mm	mm	mm
BCT 1-25-2	53	72	36	51	20 - 25	M 8 x 70	10
BCT 1-30-2	53	72	36	51	26 - 30	M 8 x 70	10
BCT 1-35-2	53	72	36	51	31 - 35	M 8 x 70	10
BCT 1-40-2	64	95	45	70	36 - 40	M 8 x 90	10
BCT 1-45-2	64	95	45	70	41 - 45	M 8 x 90	10
BCT 1-52-2	64	95	45	70	46 - 52	M 8 x 90	10
BCT 1-65-2	114	148	66	115	53 - 65	M 10 x 140	13
BCT 1-77-2	114	148	66	115	66 - 77	M 10 x 140	13
BCT 1-89-2	114	148	66	115	78 - 89	M 10 x 140	13
BCT 1-103-2	114	148	66	115	90 - 103	M 10 x 140	13

Part no	Type	Cable Ø	Packaging unit	Weight
		mm	piece	kg/piece
86570	BCT 1-25-2	20 - 25	20	0.21
86515	BCT 1-30-2	26 - 30	20	0.21
86516	BCT 1-35-2	31 - 35	20	0.20
86517	BCT 1-40-2	36 - 40	10	0.37
86518	BCT 1-45-2	41 - 45	10	0.35
86519	BCT 1-52-2	46 - 52	10	0.32
86520	BCT 1-65-2	53 - 65	-	1.40
86521	BCT 1-77-2	66 - 77	-	1.28
86522	BCT 1-89-2	78 - 89	-	1.15
86523	BCT 1-103-2	90 - 103	-	1.00