

Anchoring Clamps

Anchoring clamp type BAT

Composed of

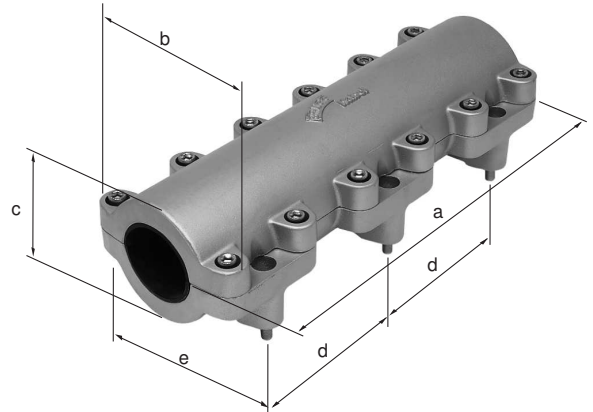
Body made of cast aluminium with stainless steel A2 bolts and rubber insert, including fastening bolts

To provide with PO's

Type of fixing
Cable diameter
Cable type

To order separately:

Jig type ML
Dowel type MLS
Dowel type MLD



Type	a mm	b mm	c mm	d mm	e mm	Drawing
BAT 40	300	106	64	180	70	S1534-4
BAT 80	400	146	104	240	110	S1535-4
BAT 110	500	186	140	185	150	S1536-4
BAT 130	500	220	170	185	185	S1533-4
BAT 160	600	270	205	220	230	S1537-4

Part no	Type	Cable Ø mm	Part no	Type	Cable Ø mm
89477	BAT 40 23/25	23 - 25	89498	BAT 110 82/85	82 - 85
89478	BAT 40 25/27	25 - 27	89499	BAT 110 85/88	85 - 88
89479	BAT 40 27/29	27 - 29	89500	BAT 110 88/91	88 - 91
89480	BAT 40 29/31	29 - 31	89501	BAT 110 91/94	91 - 94
89481	BAT 40 31/33	31 - 33	89502	BAT 110 94/97	94 - 97
89482	BAT 80 34/37	34 - 37	89503	BAT 110 97/100	97 - 100
89483	BAT 80 37/40	37 - 40	89504	BAT 110 100/103	100 - 103
89484	BAT 80 40/43	40 - 43	89505	BAT 130 103/107	103 - 107
89485	BAT 80 43/46	43 - 46	89506	BAT 130 107/111	107 - 111
89486	BAT 80 46/49	46 - 49	89507	BAT 130 111/115	111 - 115
89487	BAT 80 49/52	49 - 52	89508	BAT 130 115/119	115 - 119
89488	BAT 80 52/55	52 - 55	89509	BAT 130 119/123	119 - 123
89489	BAT 80 55/58	55 - 58	88460	BAT 160 123/127	123 - 127
89490	BAT 80 58/61	58 - 61	88461	BAT 160 127/131	127 - 131
89491	BAT 80 61/64	61 - 64	88462	BAT 160 131/135	131 - 135
89492	BAT 80 64/67	64 - 67	88463	BAT 160 135/139	135 - 139
89493	BAT 80 67/70	67 - 70	88464	BAT 160 139/143	139 - 143
89494	BAT 80 70/73	70 - 73	88465	BAT 160 143/147	143 - 147
89495	BAT 110 73/76	73 - 76	88466	BAT 160 147/151	147 - 151
89496	BAT 110 76/79	76 - 79	88467	BAT 160 151/155	151 - 155
89497	BAT 110 79/82	79 - 82			