

Anchoring Clamps

Anchoring clamp type BA

Composed of

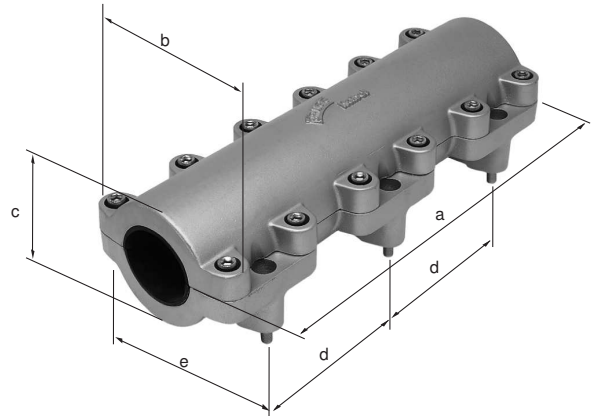
Body made of cast aluminium with stainless steel A2 bolts, including fastening bolts

To provide with PO's

Type of fixing
Cable diameter
Cable type

To order separately:

Jig type ML
Dowel type MLS
Dowel type MLD



Type	a mm	b mm	c mm	d mm	e mm	Drawing
BA 40	300	106	64	180	70	S1539-4
BA 80	400	146	104	240	110	S1540-4
BA 110	500	186	140	185	150	S1541-4
BA 130	500	220	170	185	185	S1542-4
BA 160	600	270	205	220	230	S1543-4

Part no	Type	Cable Ø mm	Part no	Type	Cable Ø mm
89570	BA 40 24/26	24 - 26	89592	BA 110 83/86	83 - 86
89571	BA 40 26/28	26 - 28	89593	BA 110 86/89	86 - 89
89572	BA 40 28/30	28 - 30	89594	BA 110 89/92	89 - 92
89573	BA 40 30/32	30 - 32	89595	BA 110 92/95	92 - 95
89574	BA 40 32/34	32 - 34	89596	BA 110 95/98	95 - 98
89575	BA 40 34/36	34 - 36	89597	BA 110 98/101	98 - 101
89576	BA 40 36/38	36 - 38	89598	BA 110 101/104	101 - 104
89577	BA 40 38/40	38 - 40	89599	BA 110 104/107	104 - 107
89578	BA 80 41/44	41 - 44	89600	BA 110 107/110	107 - 110
89579	BA 80 44/47	44 - 47	89601	BA 130 110/114	110 - 114
89580	BA 80 47/50	47 - 50	89602	BA 130 114/118	114 - 118
89581	BA 80 50/53	50 - 53	89603	BA 130 118/122	118 - 122
89582	BA 80 53/56	53 - 56	89604	BA 130 122/126	122 - 126
89583	BA 80 56/59	56 - 59	89605	BA 130 126/130	126 - 130
89584	BA 80 59/62	59 - 62	88450	BA 160 130/134	130 - 134
89585	BA 80 62/65	62 - 65	88451	BA 160 134/138	134 - 138
89586	BA 80 65/68	65 - 68	88452	BA 160 138/142	138 - 142
89587	BA 80 68/71	68 - 71	88453	BA 160 142/146	142 - 146
89588	BA 80 71/74	71 - 74	88454	BA 160 146/150	146 - 150
89589	BA 80 74/77	74 - 77	88455	BA 160 150/154	150 - 154
89590	BA 80 77/80	77 - 80	88456	BA 160 154/158	154 - 158
89591	BA 110 80/83	80 - 83	88457	BA 160 158/162	158 - 162