

Anchoring Clamps

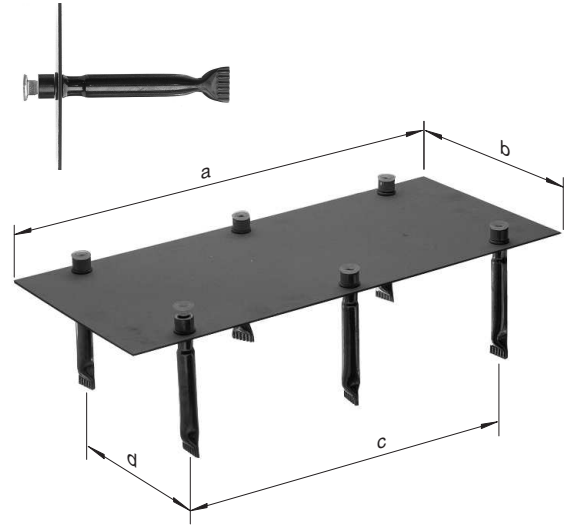
Jig type ML

Composed of

Perforated aluminium plate, dowels with stainless steel bolts, protective caps for Allen screws

To provide with PO's

Clamp type



Allocation table

Type	suitable with	Number of holes	a mm	b mm	c mm	d mm
ML A1	BA 40	4	300	110	180	70
ML A2	BA 80	4	400	150	240	110
ML A3	BA 110	6	500	190	185	150
ML A4	BA 130	6	500	220	185	185
ML F1	BAF 40	4	180	110	90	70
ML F2	BAF 80	4	250	150	140	110
ML F3	BAF 110	4	300	190	185	150
ML F4	BAF 130	4	320	220	184	180

Part no	Type
48200	ML A1
48202	ML A2
48204	ML A3
48206	ML A4
48201	ML F1
48203	ML F2
48205	ML F3
48207	ML F4