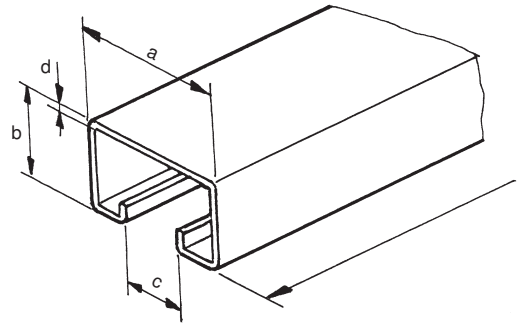


Profil bars

Profile rail type PS

Customized cutting length upon request



Part no	Type	a mm	b mm	c mm	d mm	Length m		Weight kg/m
28670	PSA 32	32	18	15.4	3	3.0	aluminium	0.56
31633	PSA 50	50	30	22.0	3	6.5	aluminium	1.00
48357	PSV 50	50	30	22.0	3	6.0	Steel hot dip galvanized	3.10