

## Brides de fixation

# Bride de fixation type BFBT 1

### Se compose de

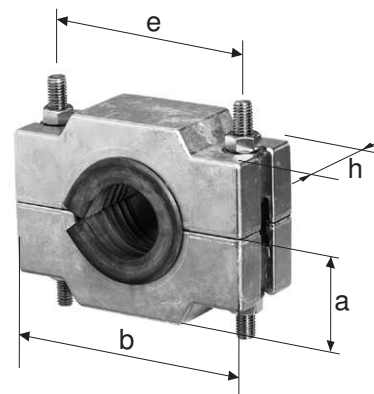
Boîtier en aluminium moulé, vis inox A2 et coussinet en caoutchouc, vis de montage inclus

### A spécifier lors de la commande

type de fixation  
diamètre du câble  
type de câble

### Pièces à commander séparément:

Support en croix type SKR  
Rails de profil type PS  
Ecrou à coulisser type PSVN



| Grandeur    | a<br>mm | b<br>mm | e<br>mm | h<br>mm | Vis<br>mm  | Dessin  |
|-------------|---------|---------|---------|---------|------------|---------|
| 1040 - 1073 | 60      | 160     | 130     | 60      | M 12 x 160 | S1467-4 |
| 2068 - 2088 | 65      | 175     | 145     | 60      | M 12 x 170 | S1468-4 |
| 3083 - 3108 | 75      | 200     | 170     | 60      | M 12 x 190 | S1469-4 |
| 4103 - 4133 | 90      | 245     | 210     | 80      | M 16 x 220 | S1470-4 |
| 5128 - 5148 | 100     | 255     | 220     | 100     | M 16 x 240 | S1471-4 |

| Article n° | Type       | Ø câble<br>mm | Article n° | Type       | Ø câble<br>mm |
|------------|------------|---------------|------------|------------|---------------|
| 88850      | BFBT1-1040 | 37.6 - 40.0   | 88723      | BFBT1-3095 | 92.6 - 95.0   |
| 88851      | BFBT1-1043 | 40.1 - 42.5   | 88724      | BFBT1-3098 | 95.1 - 97.5   |
| 88852      | BFBT1-1045 | 42.6 - 45.0   | 88725      | BFBT1-3100 | 97.6 - 100.0  |
| 88853      | BFBT1-1048 | 45.1 - 47.5   | 88726      | BFBT1-3103 | 100.1 - 102.5 |
| 88854      | BFBT1-1050 | 47.6 - 50.0   | 88727      | BFBT1-3105 | 102.6 - 105.0 |
| 88700      | BFBT1-1053 | 50.0 - 52.5   | 88728      | BFBT1-3108 | 105.1 - 107.5 |
| 88701      | BFBT1-1055 | 52.6 - 55.0   | 88729      | BFBT1-4103 | 100.1 - 102.5 |
| 88702      | BFBT1-1058 | 55.1 - 57.5   | 88730      | BFBT1-4105 | 102.6 - 105.0 |
| 88703      | BFBT1-1060 | 57.6 - 60.0   | 88731      | BFBT1-4108 | 105.1 - 107.5 |
| 88704      | BFBT1-1063 | 60.1 - 62.5   | 88732      | BFBT1-4110 | 107.6 - 110.0 |
| 88705      | BFBT1-1065 | 62.6 - 65.0   | 88733      | BFBT1-4113 | 110.1 - 112.5 |
| 88706      | BFBT1-1068 | 65.1 - 67.5   | 88734      | BFBT1-4115 | 112.6 - 115.0 |
| 88707      | BFBT1-1070 | 67.6 - 70.0   | 88735      | BFBT1-4118 | 115.1 - 117.5 |
| 88708      | BFBT1-1073 | 70.1 - 72.5   | 88736      | BFBT1-4120 | 117.6 - 120.0 |
| 88709      | BFBT1-2068 | 65.1 - 67.5   | 88737      | BFBT1-4123 | 120.1 - 122.5 |
| 88710      | BFBT1-2070 | 67.6 - 70.0   | 88738      | BFBT1-4125 | 122.6 - 125.0 |
| 88711      | BFBT1-2073 | 70.1 - 72.5   | 88739      | BFBT1-4128 | 125.1 - 127.5 |
| 88712      | BFBT1-2075 | 72.6 - 75.0   | 88740      | BFBT1-4130 | 127.6 - 130.0 |
| 88713      | BFBT1-2078 | 75.1 - 77.5   | 88741      | BFBT1-4133 | 130.1 - 132.5 |
| 88714      | BFBT1-2080 | 77.6 - 80.0   | 88742      | BFBT1-5128 | 125.1 - 127.5 |
| 88715      | BFBT1-2083 | 80.1 - 82.5   | 88743      | BFBT1-5130 | 127.6 - 130.0 |
| 88716      | BFBT1-2085 | 82.6 - 85.0   | 88744      | BFBT1-5133 | 130.1 - 132.5 |
| 88717      | BFBT1-2088 | 85.1 - 87.5   | 88745      | BFBT1-5135 | 132.6 - 135.0 |
| 88718      | BFBT1-3083 | 80.1 - 82.5   | 88746      | BFBT1-5138 | 135.1 - 137.5 |
| 88719      | BFBT1-3085 | 82.6 - 85.0   | 88747      | BFBT1-5140 | 137.6 - 140.0 |
| 88720      | BFBT1-3088 | 85.1 - 87.5   | 88748      | BFBT1-5143 | 140.1 - 142.5 |
| 88721      | BFBT1-3090 | 87.6 - 90.0   | 88749      | BFBT1-5145 | 142.6 - 145.0 |
| 88722      | BFBT1-3093 | 90.1 - 92.5   | 88750      | BFBT1-5148 | 145.1 - 147.5 |