

Anchoring Clamps

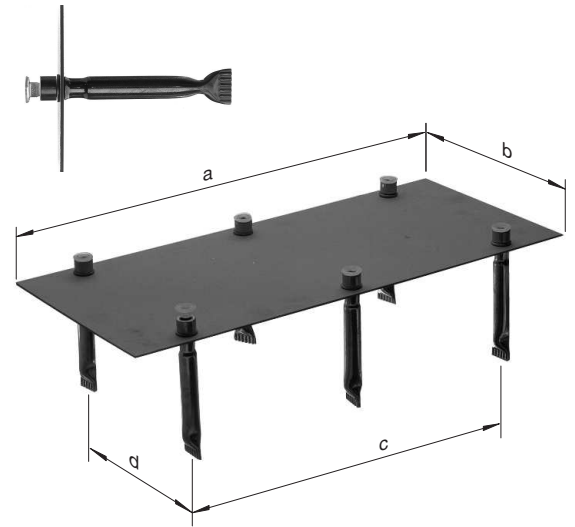
Jig type ML

Composed of

Perforated aluminium plate, dowels with stainless steel bolts, protective caps for Allen screws

To provide with PO's

Clamp type



Allocation table

| Type | suitable with | Number of holes | a mm | b mm | c mm | d mm |
|-------|---------------|-----------------|---------|---------|---------|---------|
| ML A1 | BA 40 | 4 | 300 | 110 | 180 | 70 |
| ML A2 | BA 80 | 4 | 400 | 150 | 240 | 110 |
| ML A3 | BA 110 | 6 | 500 | 190 | 185 | 150 |
| ML A4 | BA 130 | 6 | 500 | 220 | 185 | 185 |
| ML F1 | BAF 40 | 4 | 180 | 110 | 90 | 70 |
| ML F2 | BAF 80 | 4 | 250 | 150 | 140 | 110 |
| ML F3 | BAF 110 | 4 | 300 | 190 | 185 | 150 |
| ML F4 | BAF 130 | 4 | 320 | 220 | 184 | 180 |

| Part no | Type |
|---------|-------|
| 48200 | ML A1 |
| 48202 | ML A2 |
| 48204 | ML A3 |
| 48206 | ML A4 |
| 48201 | ML F1 |
| 48203 | ML F2 |
| 48205 | ML F3 |
| 48207 | ML F4 |