

## Dry type plug in GIS and Transformer terminations

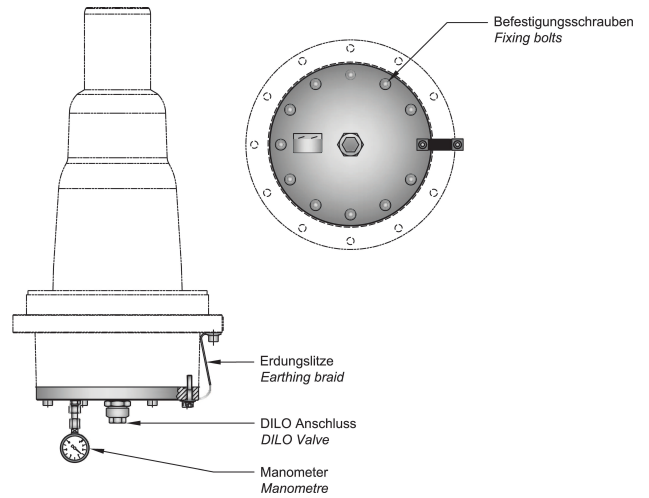
# Testing-plate set type TFD / TTD

### For Insulators up to 550 kV

The testing-plates allow the performance of electrical tests onto pre-installed female sockets type TFD onto SF6 gas-insulated switchgears or TTD onto oil-immersed transformers up to 550 kV. In addition the testing-plate can be used as a blind cover until male plug in cable terminations are connected to the equipment.

#### Product main features

- Complete set ready for installation
- Manometer indication -1 bar to 8 bar
- For SF6 or N2 insulating gas
- Compatible to all TFD and TTD sockets
- Free of grease
- Fully reusable



#### Electrical data

Type	AC withstand voltage kV / 1 min	Partial discharge pC / kV	BIL kV	SIL kV
TFD/TTD 72.5/145kV	275	< 5 / 114	650	-
TFD/TTD 145/170 kV	325	< 5 / 114	750	-
TFD/TTD 245/300 kV	460	< 5 / 240	1050	850
TFD/TTD 420/550 kV	680	< 5 / 435	1550	1175

#### Technical data

Type	Drawing	Part no	for sockets
TFD/TTD 72/145 kV	S2050	80119	G0 / G0L / G1 / G1L / T1 / T1L
TFD/TTD 145/170 kV	S1879-4	89444	G2 / G2L / T2 / T2L
TFD/TTD 245/300 kV	S1842-4	89438	G3 / G3L / T3 / T3L
TFD/TTD 420/550 kV	S2027	89441	G4 / G4L / T4 / T4L

Note: Insulating gas not scope of delivery.