

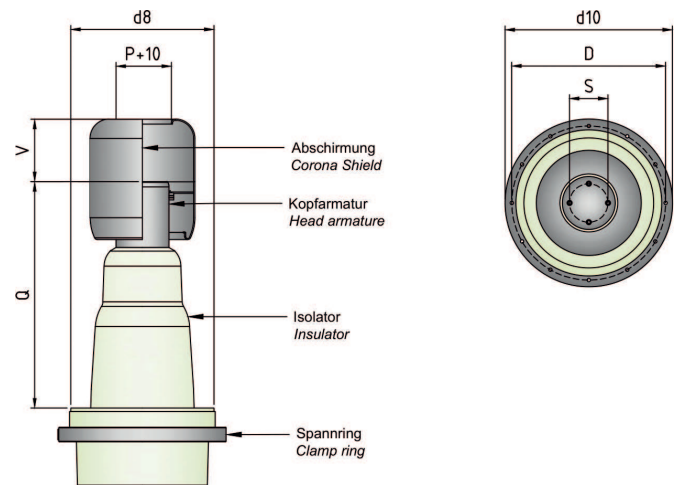
# Transformer Sockets type TTD

## Sockets up to 550 kV

Brugg dry type sockets offer high flexibility to oil insulated transformers for system voltages up to 550 kV. Regardless of whether the required dimensions of the cable compartment are for dry type terminations according to EN 50299-2 or fluid filled terminations according to EN 50299-1, each socket is provided with all necessary elements for the fast and easy installation to any transformer independently of the manufacturer. For the long-term reliability all sockets are in addition factory tested as per EN 50089 requirements. All materials used are UV and corrosion resistant thus allowing the terminations to be applicable for both indoors and outdoors installations.

### Product main features

- Designs according to EN 50299-1/ -2
- Factory tests according EN 50089
- Complete set ready for installation
- Easy adaptation to all transformers
- Operating current 4000 A
- Short circuit current up to 50 kA, 3 sec



### Main dimensions according to EN 50299-1 / -2

Type	Q mm	V mm	d8 mm	P+10 mm	d10 mm	S mm	D mm
TTD 72.5 kV	310	120	259	120	299	80	270
TTD 72.5 kV ext.	583	120	259	120	299	80	270
TTD 145 kV	470	120	298	120	350	80	320
TTD 145 kV ext.	757	120	298	110	350	80	320
TTD 145/170 kV	470	120	298	110	348	80	320
TTD 145/170 kV ext.	757	120	298	110	348	80	320
TTD 245/300 kV	620	160	451	160	500	110	475
TTD 245/300 kV ext.	960	160	559	150	500	110	582
TTD 420/550 kV	960	160	617	160	690	110	640
TTD 420/550 kV ext.	1400	160	617	160	690	110	640

### Technical data

Type	Insulator size	Drawing	Part no	Description	Q mm
TTD 72.5 kV	T0	S2038	80168	dry type, fixing ring cylindrical	310
TTD 72.5 kV ext	T0-L	S2041	80166	dry type, fixing ring cylindrical	583
TTD 145 kV	T1	S2039	80167	dry type, fixing ring cylindrical	470
TTD 145 kV ext	T1-L	S2040	80169	dry type, fixing ring cylindrical	757
TTD 145/170 kV	T2	S1940-4	89448	dry type, fixing ring cylindrical	470
TTD 145/170 kV ext.	T2-L	S1939-4	89449	dry type, fixing ring cylindrical	757
TTD 245/300 kV	T3	S2043	89451	dry type, fixing ring cylindrical	620
TTD 245/300 kV ext.	T3-L	S1909-4	89396	dry type, fixing ring cylindrical	960
TTD 420/550 kV	T4	S2025	80072	dry type, fixing ring cylindrical	960
TTD 420/550 kV ext.	T4-L	S2026	80070	dry type, fixing ring cylindrical	1400