

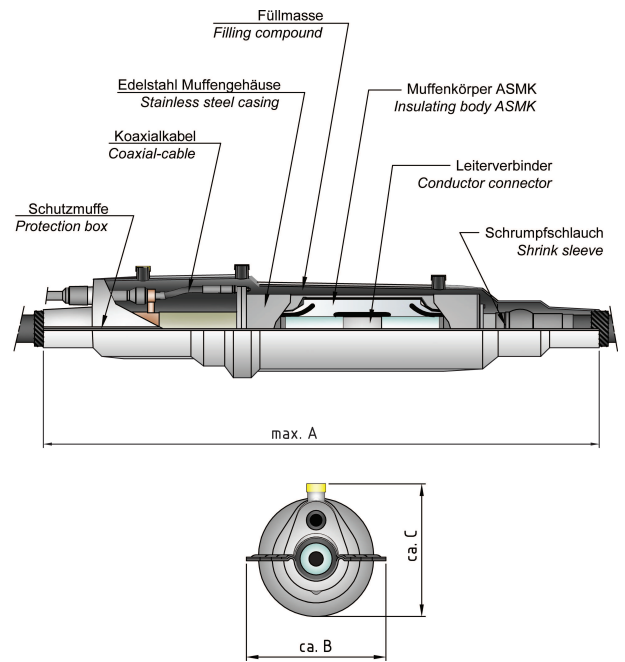
Joint type MPSP

With stainless casing radial moisture barrier and coffin box as outer protection
For polymeric cables from 245 kV up to 550 kV

Offering excellent mechanical strength and water tightness the MPSP is particularly conceived for the reliable connection of all types of polymeric insulated cables from 245 kV up to 550 kV. Particularly conceived for long cable transmission systems, the sectionalized stainless steel casing admits all types of cable screen connection with the same solution. Thanks to the glass fiber reinforced outer protection filled with resin compound the MPSP is ideal for all kind of installations including directly buried. The joints are type tested according to the international standards IEC 62067. For the long-term reliability each unit of silicone body produced are electrically routine tested in our factory.

Product main features

- Pre-molded one piece joint body electrically tested at factory
- Available with bolted or DIN compression connectors
- Highest degree of mechanical and moisture protection
- Universal cable screen grounding configuration
- Radial moisture metallic barrier made of stainless steel casing
- Glass fiber reinforced protection filled with PU-resin compound



Technical data of straight through joints

Type	Drawing	Max. operating voltage Um kV	Range of diameter over prepared cable insulation, min. - max. mm	Equivalent cable cross-section (Cu/Al) ¹ mm ²	Max. cable-Ø mm	Joint dimensions A x B mm
MPSP 1.245-21	S1329-4	245	67 - 120	400 - 2500	150	2800 x 550
MPSP 1.300-21	S1334-4	300	67 - 120	400 - 2500	150	2870 x 615
MPSP 1.420-21	S1377-4	420	81 - 129	400 - 2500	150	2870 x 615
MPSP 1.550-21	S1738-4	550	99 - 129	400 - 2500	150	2870 x 615

Technical data of cross bonding joints

Type	Drawing	Max. operating voltage Um kV	Range of diameter over prepared cable insulation, min. - max. mm	Equivalent cable cross-section (Cu/Al) ¹ mm ²	Max. cable-Ø mm	Joint dimensions A x B mm
MPSP 1.245-31	S1557-4	245	67 - 120	400 - 2500	150	2800 x 550
MPSP 1.300-31	S1347-4	300	67 - 120	400 - 2500	150	2870 x 615
MPSP 1.420-31	S1458-4	420	81 - 129	400 - 2500	150	2870 x 615
MPSP 1.550-31	S1737-4	550	99 - 129	400 - 2500	150	2870 x 615

¹ Values for reference only. The exact application depend on the diameter over the prepared cable insulation.