

## Anchoring Clamps

# Anchoring clamp type BAT

### Composed of

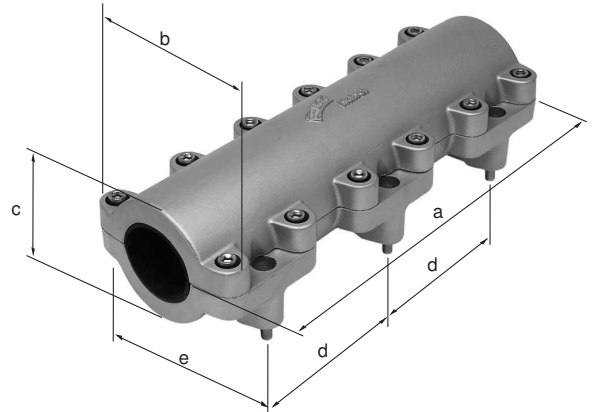
Body made of cast aluminium with stainless steel A2 bolts and rubber insert, including fastening bolts

### To provide with PO's

Type of fixing  
Cable diameter  
Cable type

### To order separately:

Jig type ML  
Dowel type MLS  
Dowel type MLD



Type	a mm	b mm	c mm	d mm	e mm	Drawing
BAT 40	300	106	64	180	70	S1534-4
BAT 80	400	146	104	240	110	S1535-4
BAT 110	500	186	140	185	150	S1536-4
BAT 130	500	220	170	185	185	S1533-4
BAT 160	600	270	205	220	230	S1537-4

Part no	Type	Cable Ø mm	Part no	Type	Cable Ø mm
89477	BAT 40 23/25	23 - 25	89498	BAT 110 82/85	82 - 85
89478	BAT 40 25/27	25 - 27	89499	BAT 110 85/88	85 - 88
89479	BAT 40 27/29	27 - 29	89500	BAT 110 88/91	88 - 91
89480	BAT 40 29/31	29 - 31	89501	BAT 110 91/94	91 - 94
89481	BAT 40 31/33	31 - 33	89502	BAT 110 94/97	94 - 97
89482	BAT 80 34/37	34 - 37	89503	BAT 110 97/100	97 - 100
89483	BAT 80 37/40	37 - 40	89504	BAT 110 100/103	100 - 103
89484	BAT 80 40/43	40 - 43	89505	BAT 130 103/107	103 - 107
89485	BAT 80 43/46	43 - 46	89506	BAT 130 107/111	107 - 111
89486	BAT 80 46/49	46 - 49	89507	BAT 130 111/115	111 - 115
89487	BAT 80 49/52	49 - 52	89508	BAT 130 115/119	115 - 119
89488	BAT 80 52/55	52 - 55	89509	BAT 130 119/123	119 - 123
89489	BAT 80 55/58	55 - 58	88460	BAT 160 123/127	123 - 127
89490	BAT 80 58/61	58 - 61	88461	BAT 160 127/131	127 - 131
89491	BAT 80 61/64	61 - 64	88462	BAT 160 131/135	131 - 135
89492	BAT 80 64/67	64 - 67	88463	BAT 160 135/139	135 - 139
89493	BAT 80 67/70	67 - 70	88464	BAT 160 139/143	139 - 143
89494	BAT 80 70/73	70 - 73	88465	BAT 160 143/147	143 - 147
89495	BAT 110 73/76	73 - 76	88466	BAT 160 147/151	147 - 151
89496	BAT 110 76/79	76 - 79	88467	BAT 160 151/155	151 - 155
89497	BAT 110 79/82	79 - 82			