

## Anchoring Clamps

# Anchoring clamp type BA

### Composed of

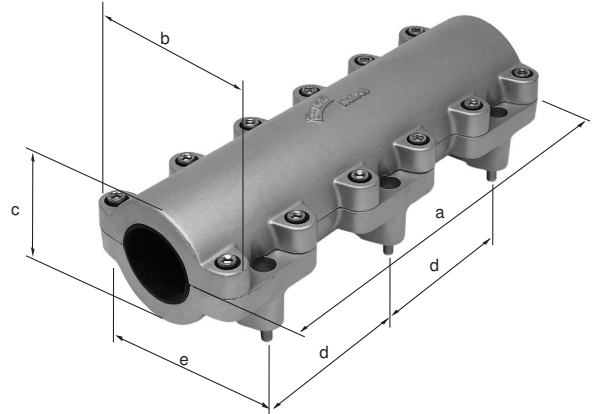
Body made of cast aluminium with stainless steel A2 bolts, including fastening bolts

### To provide with PO's

Type of fixing  
Cable diameter  
Cable type

### To order separately:

Jig type ML  
Dowel type MLS  
Dowel type MLD



Type	a mm	b mm	c mm	d mm	e mm	Drawing
BA 40	300	106	64	180	70	S1539-4
BA 80	400	146	104	240	110	S1540-4
BA 110	500	186	140	185	150	S1541-4
BA 130	500	220	170	185	185	S1542-4
BA 160	600	270	205	220	230	S1543-4

Part no	Type	Cable Ø mm	Part no	Type	Cable Ø mm
89570	BA 40 24/26	24 - 26	89592	BA 110 83/86	83 - 86
89571	BA 40 26/28	26 - 28	89593	BA 110 86/89	86 - 89
89572	BA 40 28/30	28 - 30	89594	BA 110 89/92	89 - 92
89573	BA 40 30/32	30 - 32	89595	BA 110 92/95	92 - 95
89574	BA 40 32/34	32 - 34	89596	BA 110 95/98	95 - 98
89575	BA 40 34/36	34 - 36	89597	BA 110 98/101	98 - 101
89576	BA 40 36/38	36 - 38	89598	BA 110 101/104	101 - 104
89577	BA 40 38/40	38 - 40	89599	BA 110 104/107	104 - 107
89578	BA 80 41/44	41 - 44	89600	BA 110 107/110	107 - 110
89579	BA 80 44/47	44 - 47	89601	BA 130 110/114	110 - 114
89580	BA 80 47/50	47 - 50	89602	BA 130 114/118	114 - 118
89581	BA 80 50/53	50 - 53	89603	BA 130 118/122	118 - 122
89582	BA 80 53/56	53 - 56	89604	BA 130 122/126	122 - 126
89583	BA 80 56/59	56 - 59	89605	BA 130 126/130	126 - 130
89584	BA 80 59/62	59 - 62	88450	BA 160 130/134	130 - 134
89585	BA 80 62/65	62 - 65	88451	BA 160 134/138	134 - 138
89586	BA 80 65/68	65 - 68	88452	BA 160 138/142	138 - 142
89587	BA 80 68/71	68 - 71	88453	BA 160 142/146	142 - 146
89588	BA 80 71/74	71 - 74	88454	BA 160 146/150	146 - 150
89589	BA 80 74/77	74 - 77	88455	BA 160 150/154	150 - 154
89590	BA 80 77/80	77 - 80	88456	BA 160 154/158	154 - 158
89591	BA 110 80/83	80 - 83	88457	BA 160 158/162	158 - 162